

VAX HNK C

LEVER Tap Range X Head High Neck Pillar Taps Chrome



| Specification | |
|-----------------------------------|--------------------------|
| Style: | Contemporary |
| Product Type: | Taps |
| Finish/Colour: | Chrome |
| Main Construction Material: | Brass |
| Mount Type: | Deck |
| Handle Type: | Cross Head |
| Connection Inlet: | 1/2" BSP |
| Number of Tap Holes Required: | 2 |
| Valve/Cartridge Type: | Manual |
| Plumbing System Suitability | All - Ideally balanced |
| Working Pressure Range: | Min 0.2 bar, Max 5.0 bar |
| Maximum Hot Water Temperature: °c | 65 |
| Maximum Dynamic Pressure: (bar) | 7 |
| Maximum Static Pressure: (bar) | 10 |
| Flow Type: | Single |
| Flow Rate: (l/min @ 3 bar) | 53.2 |
| Connection Outlet: | N/A |
| Isolation Included: | N/A |

Features:

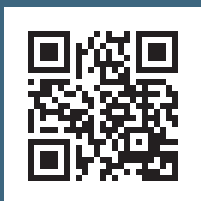
- Supplied with metal heads
- Supplied with metal back nuts
- Chrome plated to BS EN 248

Product Certifications:

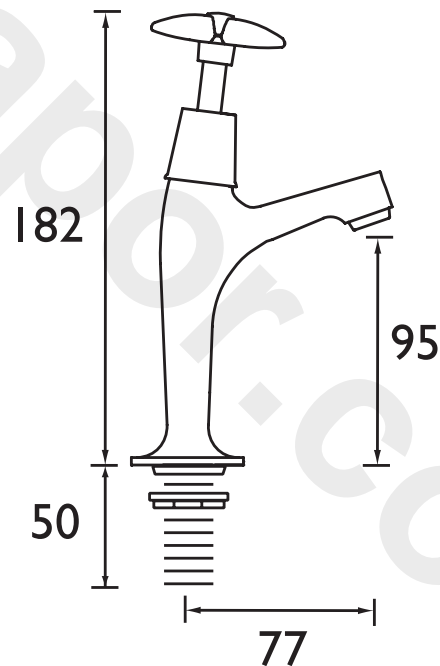
WRAS Certificate no. 1905900
WRAS Expiry: 31/05/2024



For more products, visit our website:



Dimensions (measurements in mm)



Flow Rates (l/min)

| System Pressure (bar) | 0.2 | 0.5 | 1 | 2 | 3 | 5 |
|-----------------------|------|------|----|------|------|------|
| VAX HNK C | 13.6 | 21.7 | 31 | 43.5 | 53.2 | 68.7 |

TECHNICAL
DATA
SHEET



BRISTAN
TAPS & SHOWERS